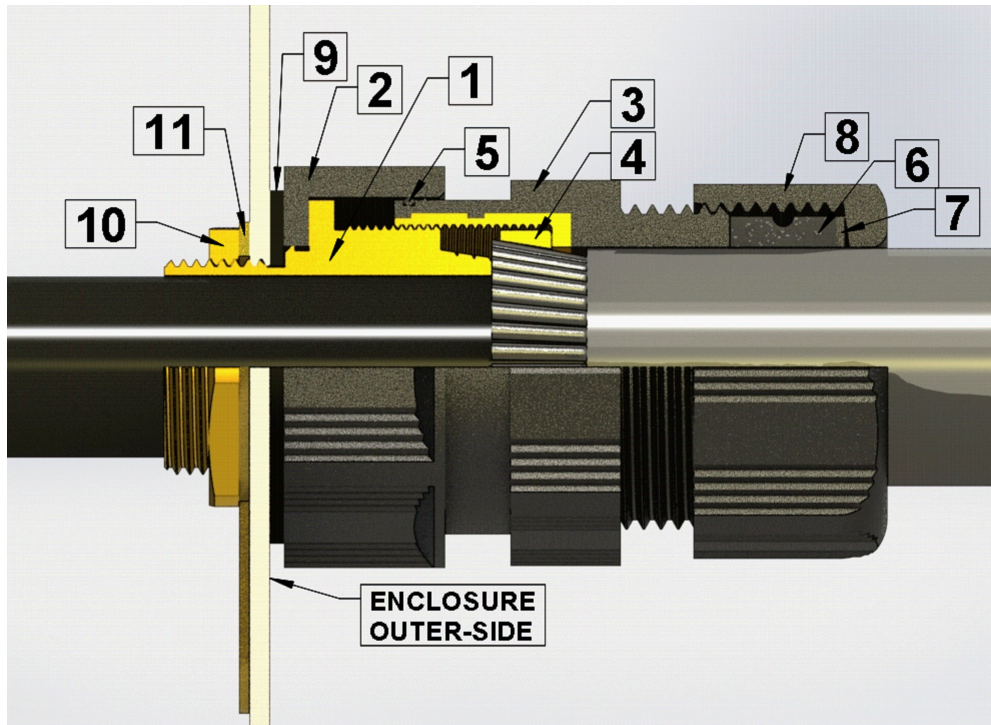


PLEASE READ ALL INSTRUCTIONS CAREFULLY BEFORE BEGINNING INSTALLATION



Components :

1. Brass Gland-Body
2. Plastic Body-Cover
3. Plastic Gland-Nut moulded onto Brass Insert
4. Regular Brass Armour-Ring inside the assembly(for Armoured cable) & Zero-Gap Brass Armour-Ring as loose component in the pack(for Braided cable)
5. Rubber O-Ring
6. Rubber-Ring
7. Plastic Washer (EXCLUSIVE to Sizes 25L & 32L)
8. Plastic Compression-Nut
9. Rubber Thread-Seal
10. Brass Lock-Nut
11. Brass Earth-Tag

- For Sizes 20S & 20L: Tighten Compression-Nut(8) onto Gland-Nut(3) to create an assembly, enclosing Rubber-Ring(6).
Sizes 25L & 32L: Same step as above, but also include Washer (7) with Rubber-Ring(6), as shown in figure above.
(Refer Maximum tightening Torque values for Compression-Nut for each size before tightening, on the flip-side of this leaflet.)
And insert this assembly onto the cable.
- Pass Armour-Ring(4) through Cable's outer sheath and push up to Gland-Nut(3).
- Remove the cable outer sheath to expose armour/braid, and spread armour/braid (as shown in the above figure).
- Now, secure assembly of Gland-Body(1) and Body-Cover(2), along with Thread Seal(9) over entry threads, onto the inner sheath of the cable under exposed armour/braid.
- Push the assembly of Compression-Nut(8) & Gland-Nut(3), so that Armour-Ring's shoulder makes contact with the armour/braid of the cable. Hand-tighten the assembly and then tighten further with a wrench to ensure a tight seal.
(Refer to Maximum tightening Torque values for Gland-Nut for each size before tightening, on the flip-side of this leaflet.)
- Consequently, insert the whole Gland Assembly with cable into the Enclosure. Place Earth-Tag(11), and tighten Lock-Nut (10) onto the entry threads.
- To maintain earth continuity, Earth Tag MUST be installed between Lock-Nut & Enclosure.